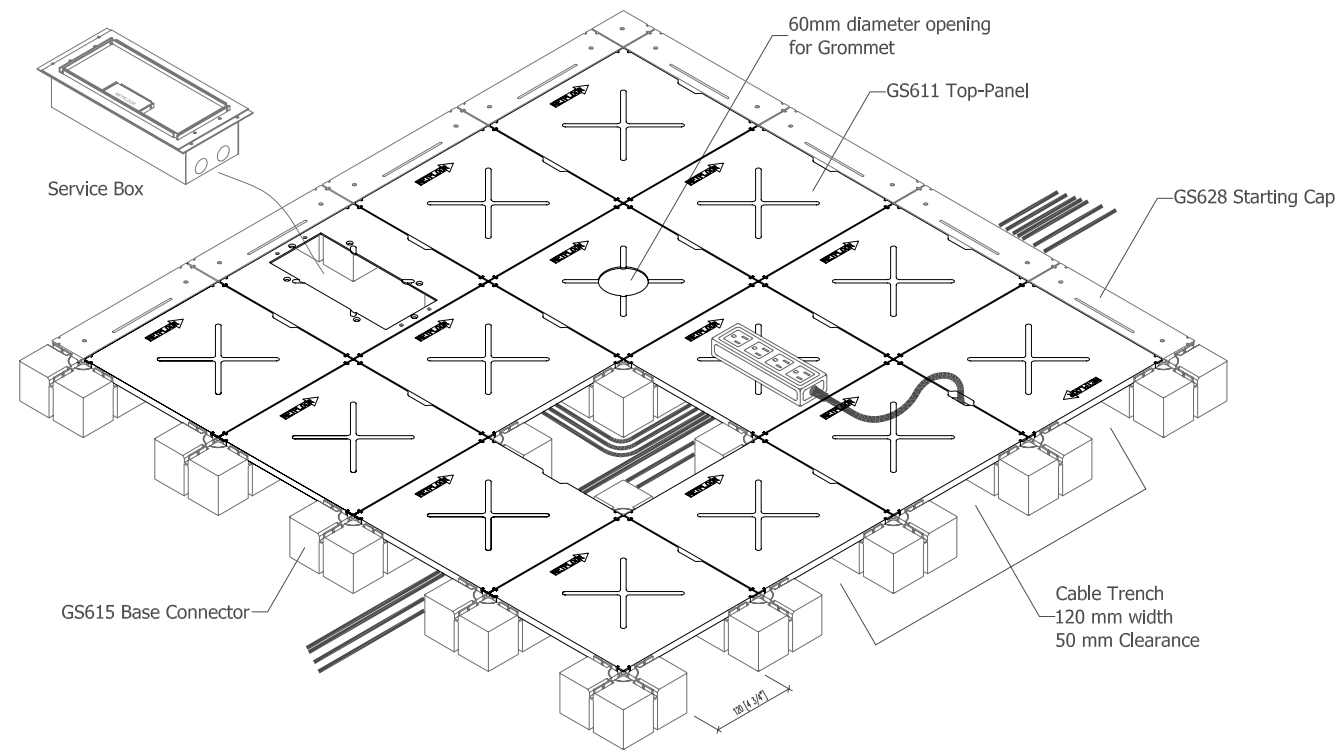
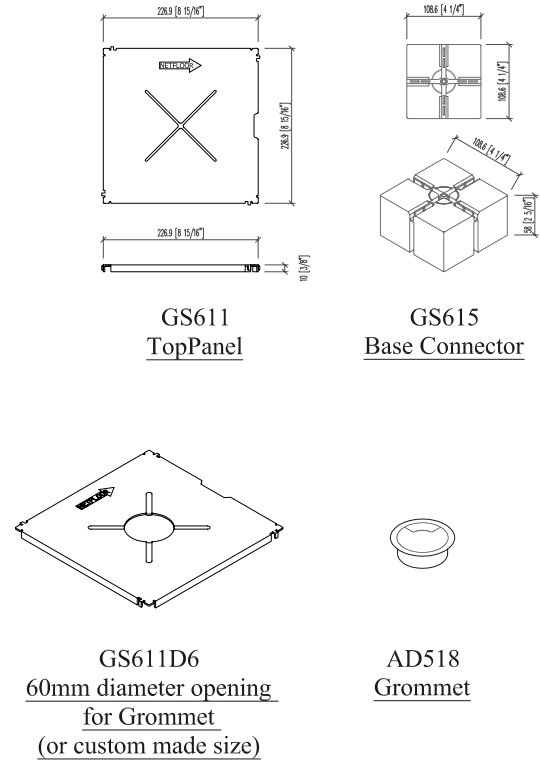


Netfloor Grand Square GS600 Series Cable Management Flooring System



STANDARD COMPLETED UNIT DRAWING



Low-Profile Access Flooring GS600 system

A. General: the low profile access flooring, when installed, structured with access panels (Top-Panels) and connecting pedestals (Base Connectors), to form grid-pattern trenches, facilitating easy distribution, extension of electrical, data, telecommunication cables, and accommodate utility pipes and outlet floor boxes, and access panels to cover and protect cables and utility pipes running in the cable trenches.

- B. The system**
1. Netfloor low profile access floor systems
 2. system: Grand Square GS600 series
 3. system height: 60 mm (2.36")
 4. module size: 228.6mm X 228.6 mm (9.0" X 9.0"), consists of 1 access panel (Top-Panel) and 1 Base Connector.
 5. system weight: 21 kg per sq. meter (4.29 LB per SF)
 6. manufacturer: Netfloor, Inc.

C. Top-Panel (access panel): full steel panel with straight angle bend at four edges, and re-inforce ribs at center of the panel.

1. panel size: 227mm X 227mm (4.27" X 4.27")
2. height: 10 mm (0.39")
3. materials: hot-dip galvanize steel

D. Base Connector (connecting pedestal):

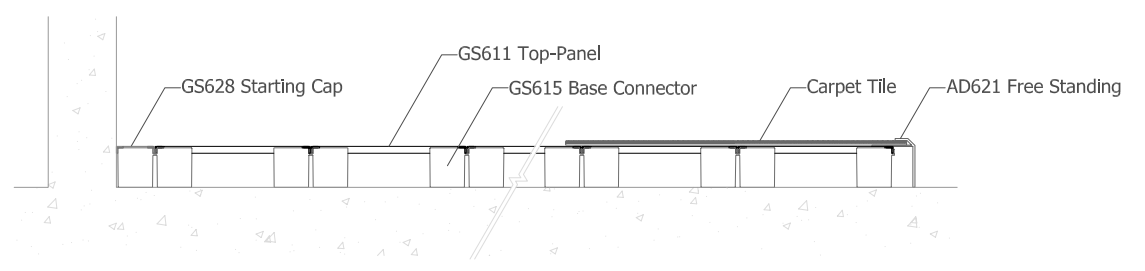
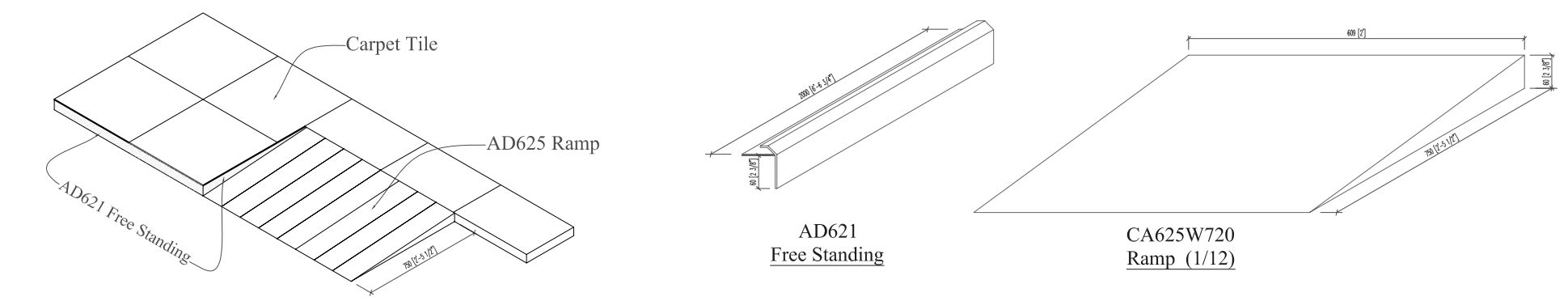
1. size 108.6mm X 108.6mm (4.27" X 4.27")
2. height: 58mm (2.28")
3. materials: made of recycled poly-propylene.

E. Cable Trenches configuration: At time of installation, place edges of the Top-Panels onto Base Connectors slots and press down by hand, to firmly seat the Top-Panels on the Base Connectors. Continuous connection onto the Base Connectors by the Top-Panels, which automatically forms standard distance 120 mm (4.72") wide, reticulated cable trenches within every 228.6 mm (9.0").

F. Cable Trench capacity: within every 228.6 mm (9.0")

1. width: 120 mm (4.72")
2. clearance: 50 mm (2.0")

G. Accessories: All components for ramps, perimeters, re-enforcements, and others, as indicated on the manufacturer's system drawings.



CROSS SECTION DRAWING

